

Pumps you can rely on

AQUA GROUP

AQUATEX[®]

Vertical Multistage In-line Pumps

AVS, AVSI, AVSN Series



AQUASUB ENGINEERING

Coimbatore - 641 034, India

Applications

● WATER TREATMENT

- Water softeners and de-mineralization
- Reverse Osmosis systems
- Distillation systems
- Filtration
- Ultra-filtration systems

● WATER SUPPLY AND PRESSURE BOOSTING

- Pressure boosting in buildings, hotels, residential complexes
- Pressure booster stations, supply of water networks
- Pressure boosting for industrial water supply

● LIGHT INDUSTRY

- Washing and cleaning systems
- Car Washing facilities
- Fire fighting systems
- Process water systems
- Machine tools (cooling lubricants)

● HEATING, VENTILATION AND AIR-CONDITIONING

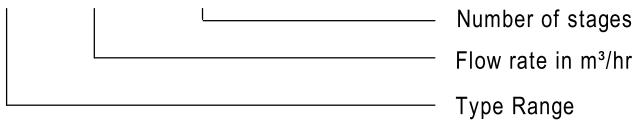
- Boilers
- Induction heating
- Heat exchangers
- Cooling towers and systems
- Temperature control systems

● IRRIGATION AND AGRICULTURE

- Greenhouses
- Sprinkler irrigations
- Field irrigation (flooding)

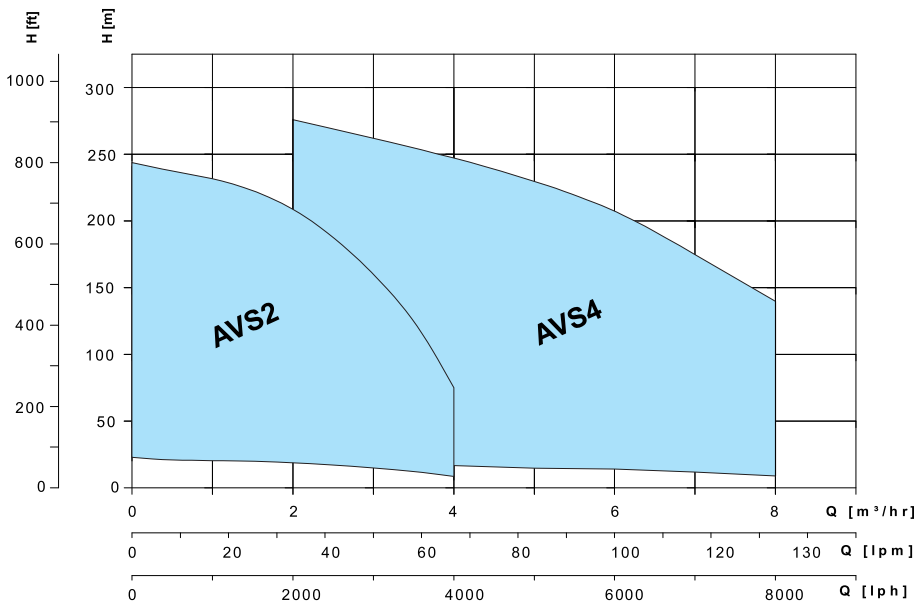
Identification Code

AVS 2 / 15



- AVS** (CI Inline Casing + SS304 Hydraulics)
- AVSI** (SS 304 Inline Casing + SS 304 Hydraulics)
- AVSN** (SS 316 Inline Casing + SS 316L Hydraulics)

Performance range



Easy Motor Assembly

Split Coupling provided with the pump. This eliminates the risk of damage caused by shifting of the pump shaft during transportation. The motor is simply inserted in the split coupling and fastened to the flange without the necessity for adapting the axial position of the pump shaft.

Easy Installation with system

In-line connections to simplify the piping layout with the possibility of inserting the pump in straight pipe-lines. Disassembly, inspection or cleaning of internal parts without removal of piping.

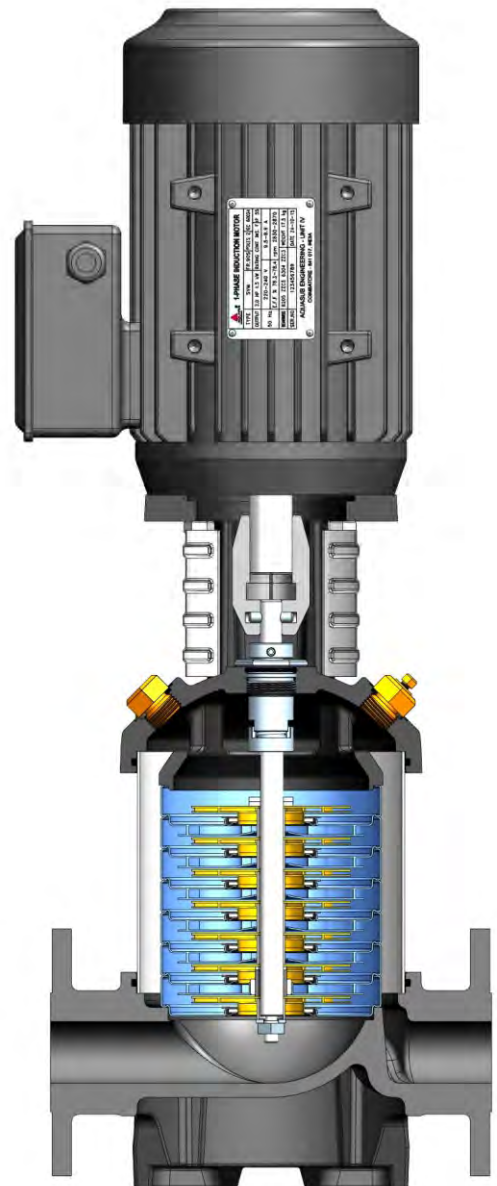
Robust and Reliable Construction

Single PN 25 construction for all pump sizes. The suction and discharge ports arranged in-line absorb the forces of the piping on the pump without the creation of distorting loads causing local friction and early wears.

The upper cover design prevents entrapment of air around the mechanical seal (Cartridge Seal).

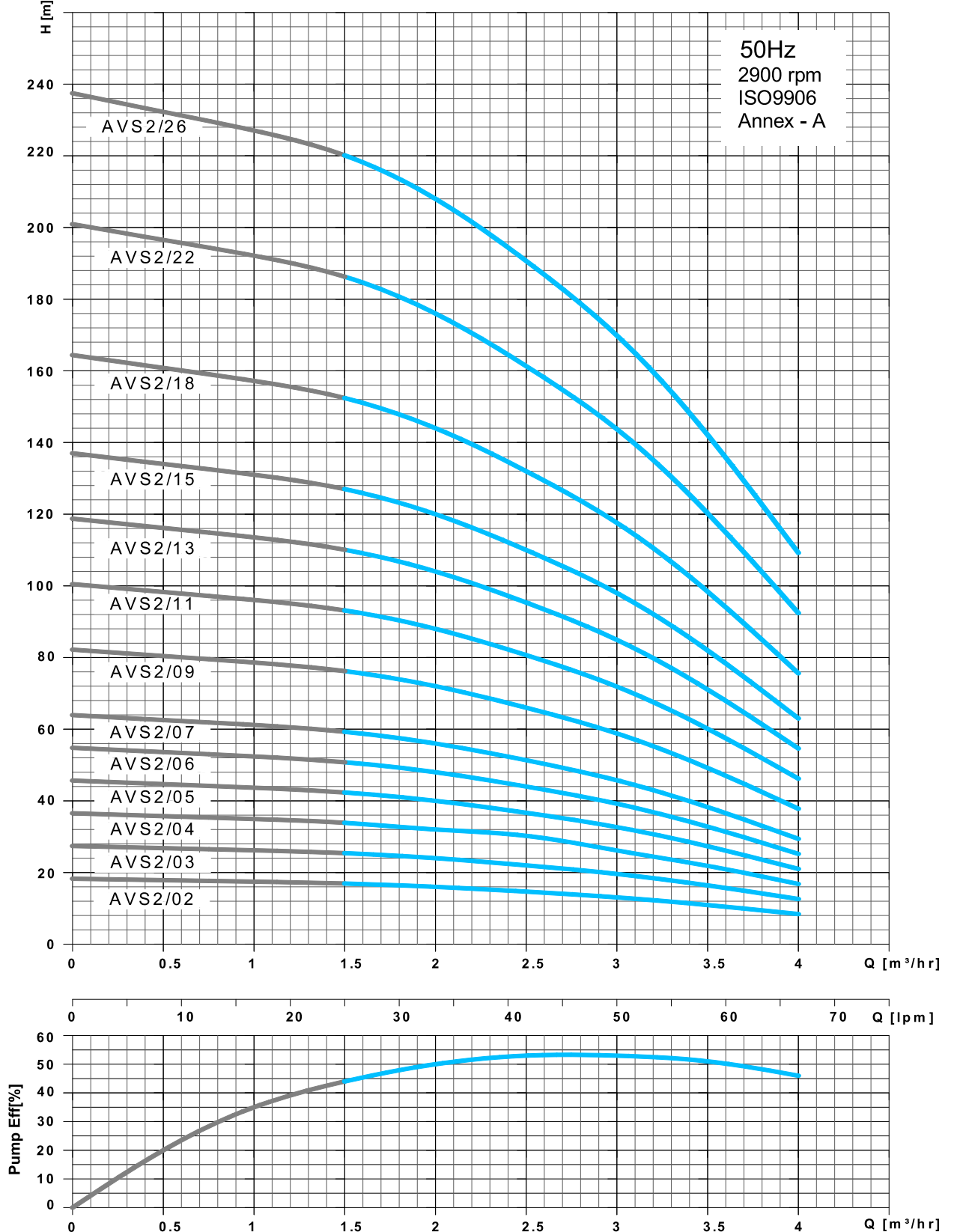
The water filled shroud around the stages and thick external walls, work together for low-noise operation.

All parts that come into contact with the liquid, including wet end covers, are in chrome-nickel stainless steel AISI304.



P.No	Component	Material
56	Top casing	Cast iron / CF8
57	Mechanical seal	SiC+SiC
12	Diffuser Assembly	SS AISI 304
37	Shaft	
18	Impeller	
82	O-ring for Outer Tube	Viton \ NBR
59	Inline casing	Cast Iron / CF8
48	Outer Tube	SS AISI 304
24	Neck Ring	PTFE
44	Coupling	SS AISI 304

PERFORMANCE CURVES

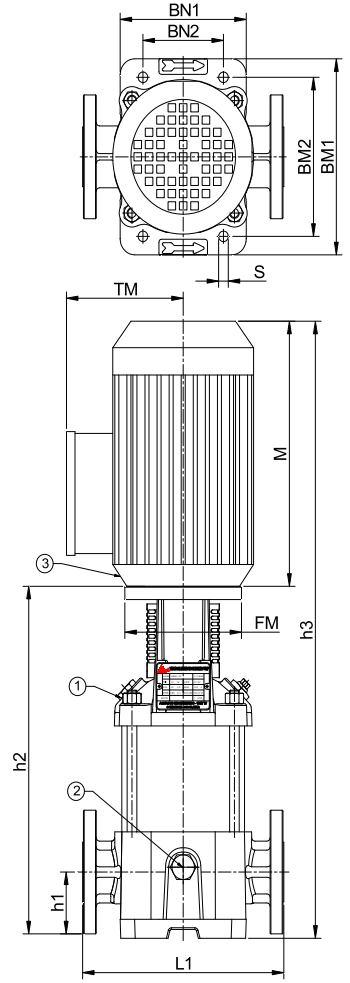


PERFORMANCE CHART

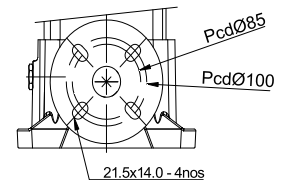
Pump type	Motor Power		Q	HEAD (m)									
				m ³ / h	0	0.5	1.0	1.5	2.0	2.5	3.0	3.5	4.0
	kW	HP		l / min	0	8	17	25	33	42	50	58	67
			LPH	0	500	1000	1500	2000	2500	3000	3500	4000	
AVS2 / 02	0.37	0.5		18.5	18	17.5	17	16	15	13	11	8	
AVS2 / 03	0.37	0.5		27.5	27	26	25	24	22	20	16	13	
AVS2 / 04	0.55	0.75		36.5	36	35	34	32	29	26	22	17	
AVS2 / 05	0.55	0.75		46	45	44	42	40	37	33	27	21	
AVS2 / 06	0.75	1.0		55	54	52	51	48	44	39	33	25	
AVS2 / 07	0.75	1.0		64	63	61	59	56	51	46	38	29	
AVS2 / 09	1.1	1.5		82	80	79	76	72	66	59	49	38	
AVS2 / 11	1.1	1.5		100	98	96	93	88	81	72	60	46	
AVS2 / 13	1.5	2.0		119	116	114	110	104	95	85	71	55	
AVS2 / 15	1.5	2.0		137	134	131	127	120	110	98	82	63	
AVS2 / 18	2.2	3.0		164	161	157	152	144	132	118	98	76	
AVS2 / 22	2.2	3.0		201	197	192	186	176	161	144	120	92	
AVS2 / 26	3.0	4.0		237	232	227	220	208	191	170	142	109	

DIMENSION AND WEIGHT DETAILS

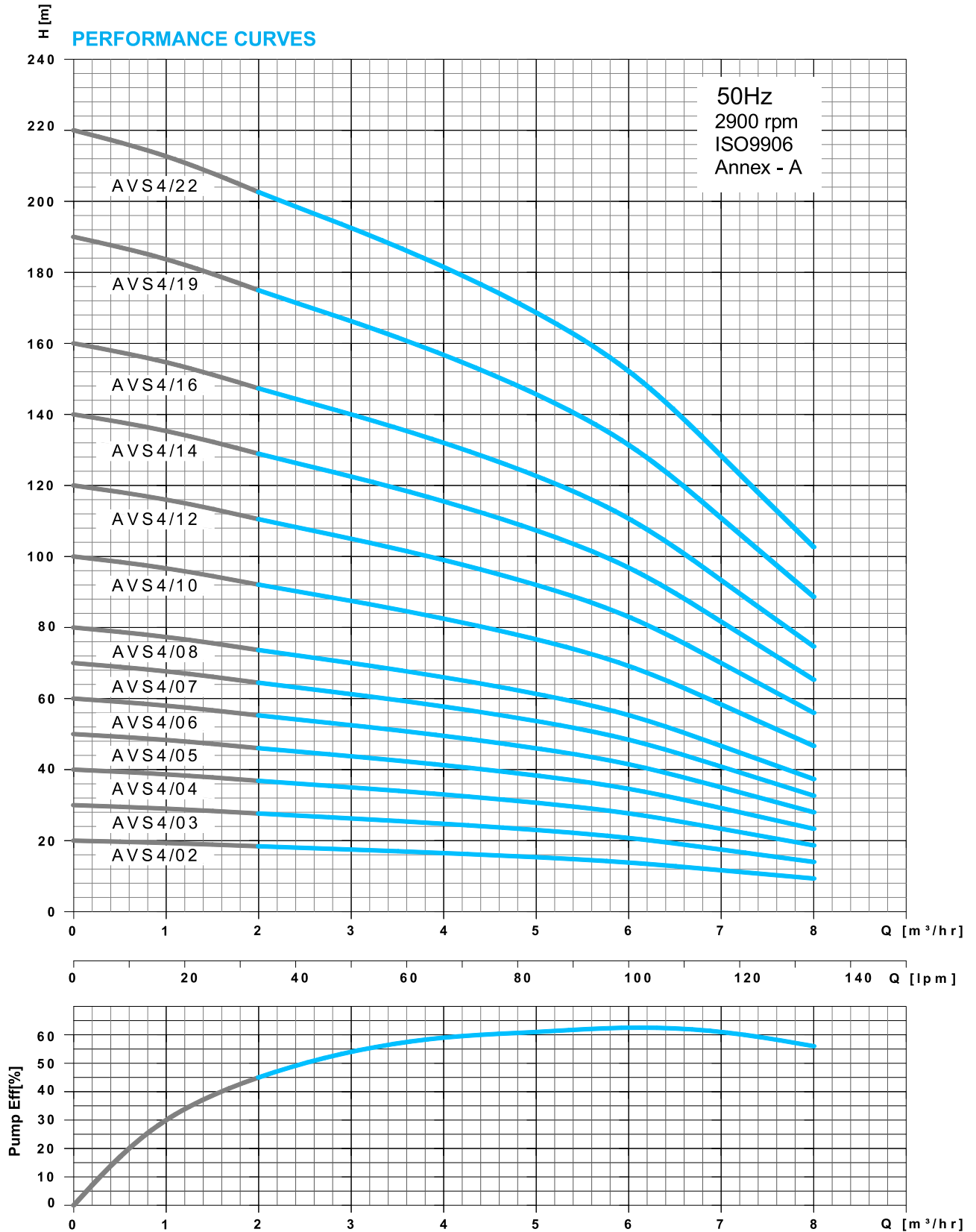
Pump type	Motor			All Dimensions are in mm											
	kW	HP	Frame	L1	h1	h2	M	h3	FM	TM	BM1	BM2	BN1	BN2	S
AVS2 / 02	0.37	0.5	71	215	75	283.5	195	478.5	∅120	115	221	180	156	100	12.5
AVS2 / 03	0.37	0.5	71	215	75	301.5	195	496.5	∅120	115	221	180	156	100	12.5
AVS2 / 04	0.55	0.75	71	215	75	319.5	195	514.5	∅120	115	221	180	156	100	12.5
AVS2 / 05	0.55	0.75	71	215	75	337.5	195	532.5	∅120	115	221	180	156	100	12.5
AVS2 / 06	0.75	1.0	80	215	75	355.5	235	590.5	∅120	115	221	180	156	100	12.5
AVS2 / 07	0.75	1.0	80	215	75	373.5	235	608.5	∅120	115	221	180	156	100	12.5
AVS2 / 09	1.1	1.5	80	215	75	409.5	235	644.5	∅120	115	221	180	156	100	12.5
AVS2 / 11	1.1	1.5	80	215	75	445.5	235	680.5	∅120	115	221	180	156	100	12.5
AVS2 / 13	1.5	2.0	90L	215	75	499.5	291	790.5	∅145	141	221	180	156	100	12.5
AVS2 / 15	1.5	2.0	90L	215	75	535.5	291	826.5	∅145	141	221	180	156	100	12.5
AVS2 / 18	2.2	3.0	90L	215	75	589.5	291	889.5	∅145	141	221	180	156	100	12.5
AVS2 / 22	2.2	3.0	90L	215	75	661.5	291	952.5	∅145	141	221	180	156	100	12.5
AVS2 / 26	3.0	4.0	100L	215	75	733.5	316	1049.5	∅160	147	221	180	156	100	12.5



DIN
PN25 / DN25&32

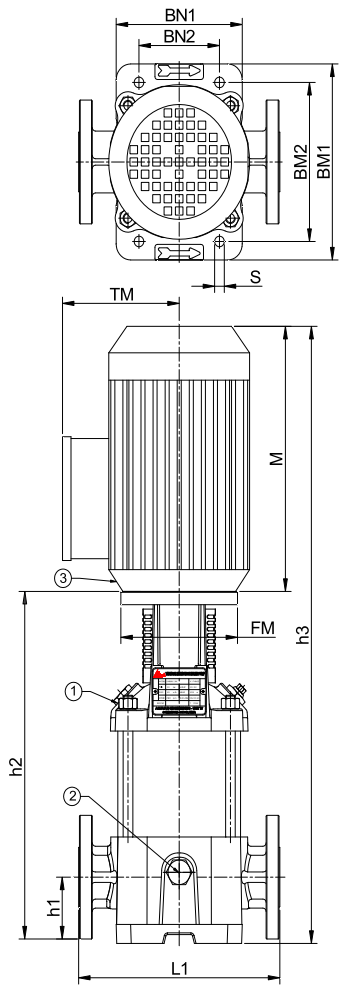


(1) Filling (2) Draining (3) Motor



PERFORMANCE CHART

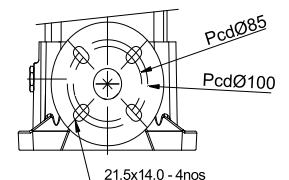
Pump type	Motor Power		Q	HEAD (m)									
				m ³ / h	0.0	1.0	2.0	3.0	4.0	5.0	6.0	7.0	8.0
	kW	HP		l / min	0	17	33	50	67	83	100	117	133
			LPH	0	1000	2000	3000	4000	5000	6000	7000	8000	
AVS 4/02	0.37	0.5		20	19.5	18.5	17.5	16.5	15	14	12	9	
AVS 4/03	0.55	0.75		30	29	28	26	25	23	21	18	14	
AVS 4/04	0.75	1.0		40	39	37	35	33	31	28	23	19	
AVS 4/05	1.1	1.5		50	48	46	43	41	38	35	29	23	
AVS 4/06	1.1	1.5		60	58	55	52	50	46	42	35	28	
AVS 4/07	1.5	2.0		70	68	64	61	58	54	48	41	33	
AVS 4/08	1.5	2.0		80	77	74	69	66	61	55	47	37	
AVS 4/10	2.2	3.0		100	97	92	87	83	77	69	58	47	
AVS 4/12	2.2	3.0		120	116	111	104	99	92	83	70	56	
AVS 4/14	3.0	4.0		140	135	129	121	116	107	97	82	65	
AVS 4/16	3.0	4.0		160	155	147	139	132	123	111	93	75	
AVS 4/19	4.0	5.5		190	184	175	165	157	146	131	111	89	
AVS 4/22	4.0	5.5		220	213	203	191	182	169	152	128	103	



DIMENSION AND WEIGHT DETAILS

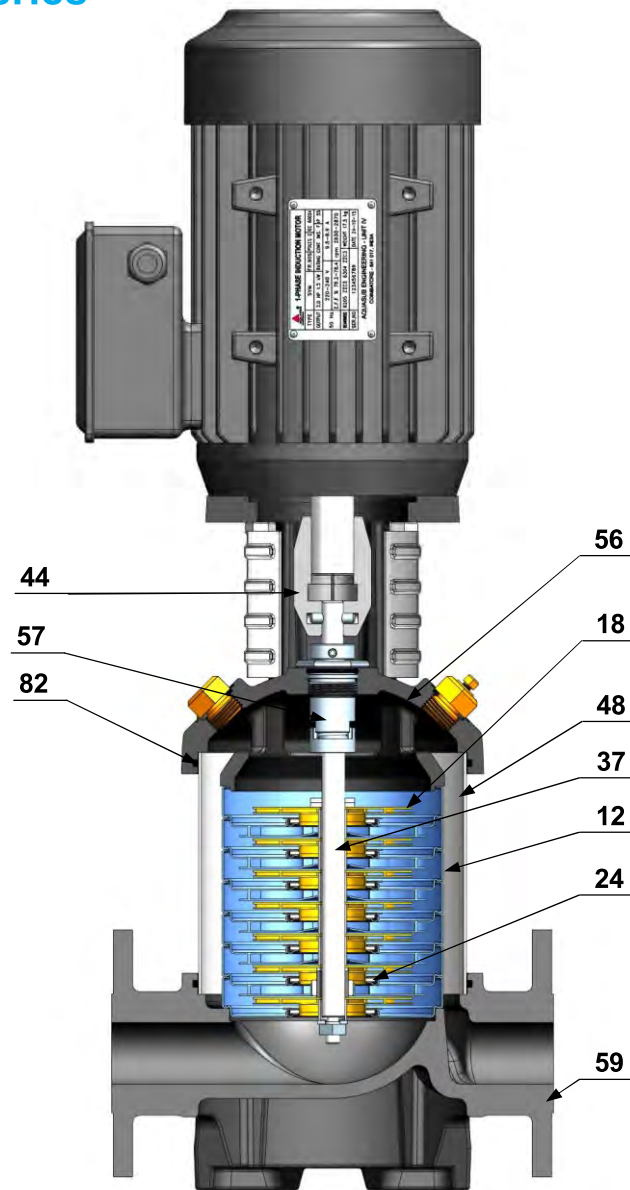
Pump type	Motor			All Dimensions are in mm											
	kW	HP	Frame	L1	h1	h2	M	h3	FM	TM	BM1	BM2	BN1	BN2	S
AVS4 / 02	0.37	0.5	71	215	75	289.5	195	484.5	∅120	115	221	180	156	100	12.5
AVS4 / 03	0.55	0.75	71	215	75	310.5	195	505.5	∅120	115	221	180	156	100	12.5
AVS4 / 04	0.75	1.0	80	215	75	331.5	235	566.5	∅120	115	221	180	156	100	12.5
AVS4 / 05	1.1	1.5	80	215	75	352.5	235	587.5	∅120	115	221	180	156	100	12.5
AVS4 / 06	1.1	1.5	80	215	75	373.5	235	608.5	∅120	115	221	180	156	100	12.5
AVS4 / 07	1.5	2.0	90L	215	75	412.5	291	703.5	∅120	141	221	180	156	100	12.5
AVS4 / 08	1.5	2.0	90L	215	75	433.5	291	724.5	∅120	141	221	180	156	100	12.5
AVS4 / 10	2.2	3.0	90L	215	75	475.5	291	766.5	∅120	141	221	180	156	100	12.5
AVS4 / 12	2.2	3.0	90L	215	75	517.5	291	808.5	∅145	141	221	180	156	100	12.5
AVS4 / 14	3.0	4.0	100	215	75	559.5	316	875.5	∅145	147	221	180	156	100	12.5
AVS4 / 16	3.0	4.0	100	215	75	601.5	316	917.5	∅145	147	221	180	156	100	12.5
AVS4 / 19	4.0	5.5	112	215	75	664.5	326	990.5	∅145	161	221	180	156	100	12.5
AVS4 / 22	4.0	5.5	112	215	75	727.5	326	1054	∅160	161	221	180	156	100	12.5

DIN
PN25 / DN25&32



(1) Filling (2) Draining (3) Motor

AVS2 & AVS4 Series



Part List:

56	TOP CASING
57	MECHANICAL SEAL
12	DIFFUSER ASSEMBLY
37	SHAFT
18	IMPELLER
82	O-RING FOR OUTER TUBE
59	INLINE CASING
48	OUTER TUBE
44	COUPLING
24	NECK RING